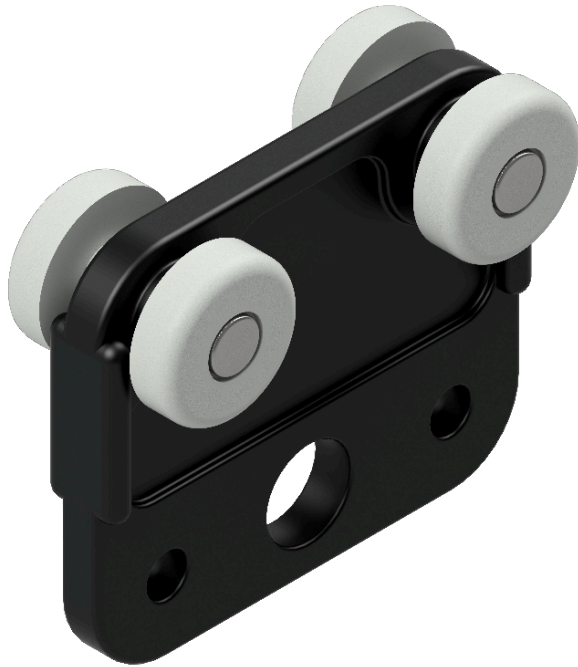


2Way Plain Wheel Master Runner



Technical Details

Part No: 2W0701

Weight: 0.036 kg

WLL: 15 kg

Material: Nylon PA6

Finish: Black with White Wheels

The four wheeled master runners lead the curtain on- and off-stage, giving additional strength and the balance required where the most force is applied. Also used to fit overlap arms, 2W8001.

There is also a ball raced version of the master runner for use with heavier drapes (2W0702).

