

Erail Return Pulley with Tensioner - Straight & Curved Systems



Technical Details

Part No: ERL1002

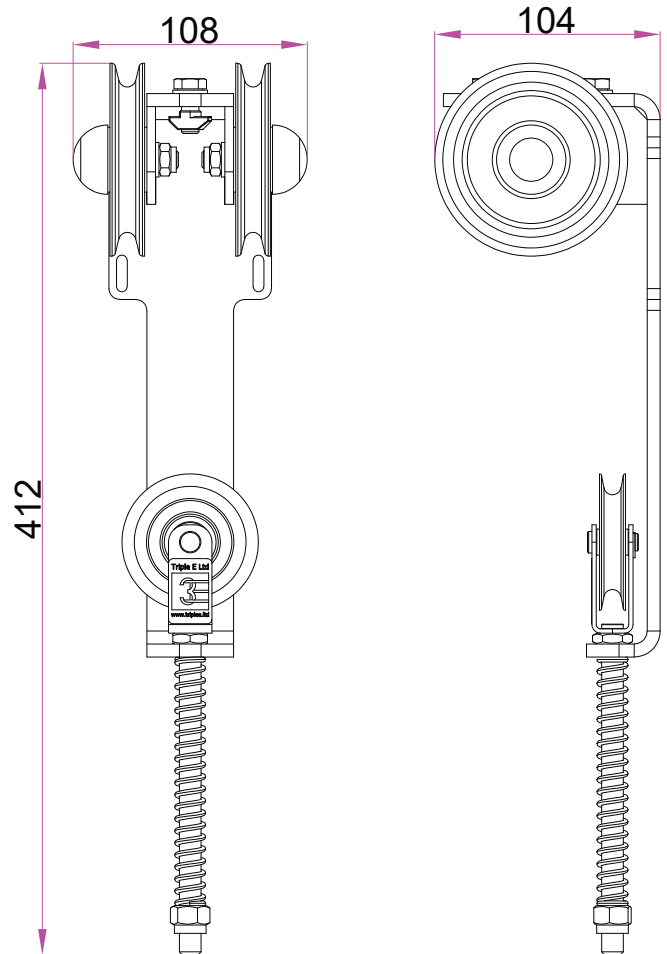
Weight: 1.506 kg

WLL: N/A

Material: Steel & Nylon PA6

Finish: Black Powder Coated (metal work)

The Erail return pulley is fitted to the end sections of Erail track systems and is used for both curved and straight corded systems. It directs the cord down towards a pulley that is kept under tension using a spring. This can be adjusted to suit each systems specific needs and also reduces the amount of maintenance required to keep the track system running smoothly.



The ERL1002 is sent disassembled for ease of shipping. To assemble, remove nut and spring, fit threaded rod through hole with the pulley facing the other pulleys. Then put the spring over threaded rod and attach nut. Wind the nut down the threaded rod as far as possible so that the spring is fully compressed. The nut can be loosened periodically to increase rope tension as required.