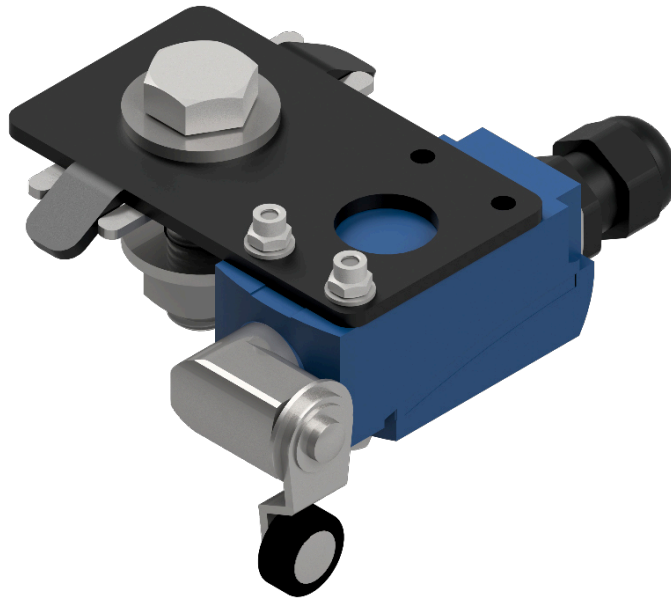


Limit Switch for UniTrack

Straight Track Systems



Technical Details

Part No: MDA7001

Weight: Varies

WLL: N/A

Material: Electrical Component

Finish: N/A

The MDA7001 Limit Switch is to be mounted to the top of straight UniTrack motorised systems. A motorised track system has to be fitted with two limit switches, one for the open and one for the close. Correct installation of the limit switches is very important as they ensure that the stopping points for the curtains/scenery are set and that the motor stops accordingly. The operating speed of the curtain/scenery and the ramp down speed of the motor must also be taken in consideration when placing the limits.

