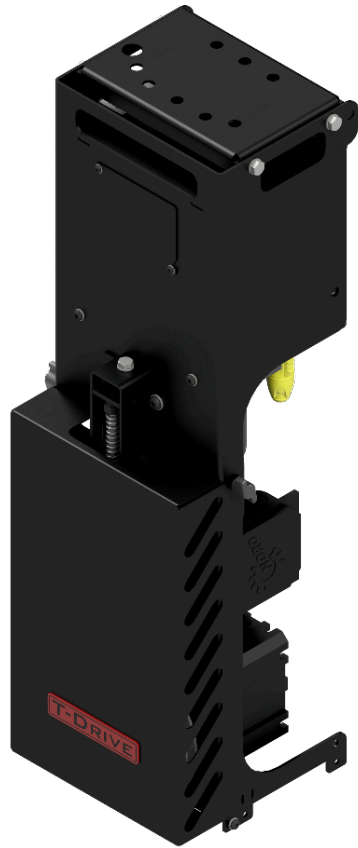


TDrive - 240 V

PRODUCT DATA SHEET



Technical Details

Part No: MDU6001

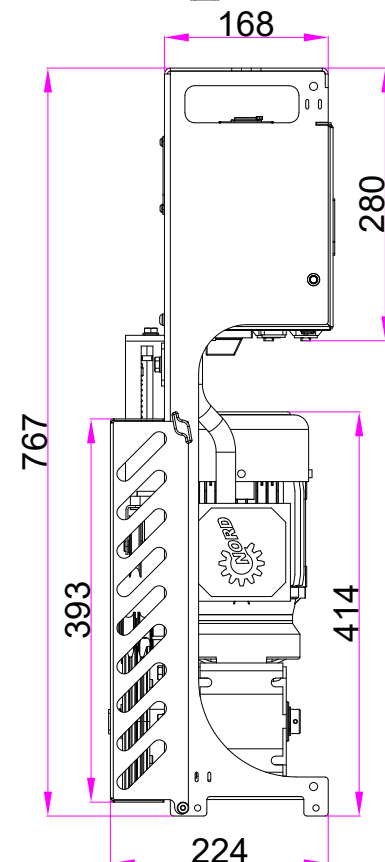
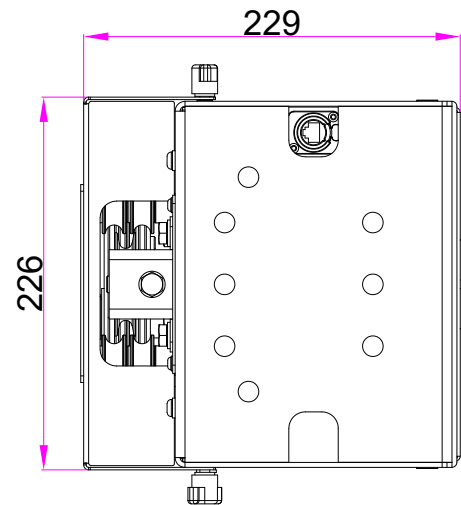
Weight: 28.000 kg

WLL: 300 kg straight / 200 kg curved

Material: Mixed Motor components

Finish: Black Powder Coated (metal work)

Our TDrive Motor drive unit is a plug and play track mounted motor system for all corded tracks incorporating control with open/close and stop functions with variable speed. Maximum curtain weight 300 kg straight track, 200 kg curved track. It is mainly used on UniTrack and UniBeam systems.



+44 (0) 1959 570 333
www.triplee.ltd
info@triplee.ltd
@tripleeltd

Equipment Engineered for Entertainment

