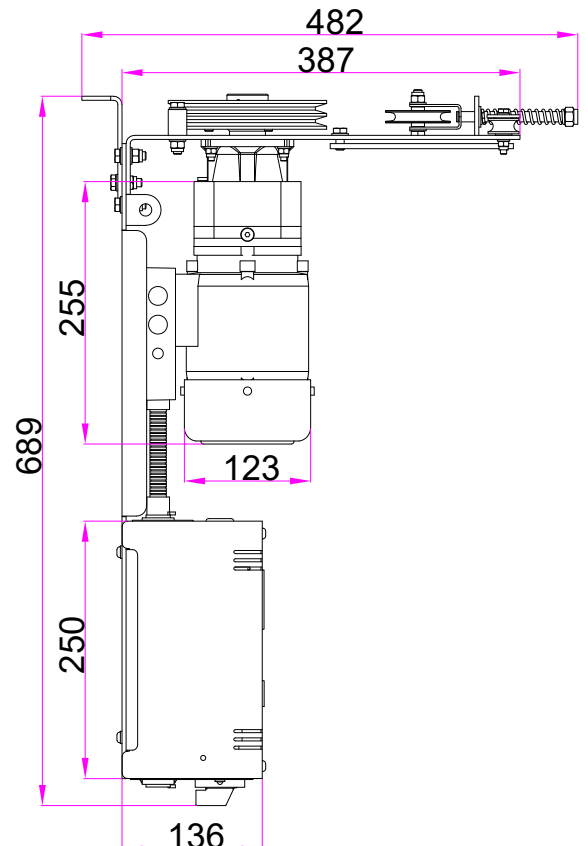
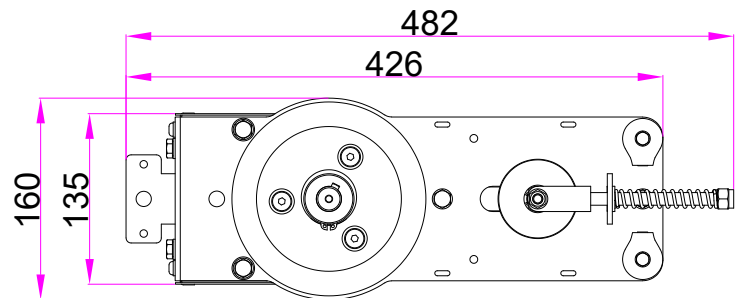
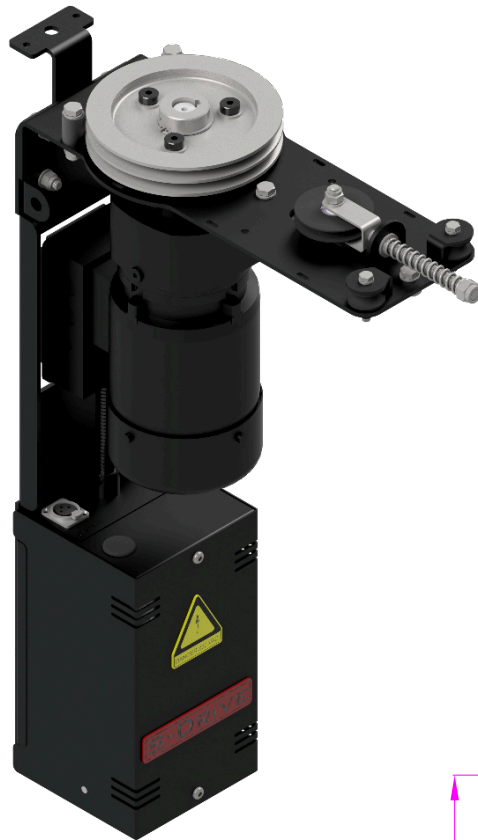


SDrive - 240 V



Technical Details

Part No: MDU6201

Weight: 19.000 kg

WLL: 150 kg straight / 100 kg curved

Material: Mixed Motor components

Finish: Black Powder Coated (metal work)

Our SDrive is a variable speed plug-and-play track mounted motor system. It will drive straight and curved Erail curtain systems up to a maximum curtain weight of 150 kg on straight and 100 kg on curved tracks. It is reliable, silent and fitted with easy power and limit connectors so that no specialist skills are required for installation. The SDrive speed can be adjusted from a crawl to a maximum speed of 0.7 m/s. The unit requires a single phase mains power supply.



+44 (0) 1959 570 333
www.triplee.ltd
info@triplee.ltd
[@tripleeltd](https://www.instagram.com/tripleeltd)

Equipment Engineered for Entertainment

