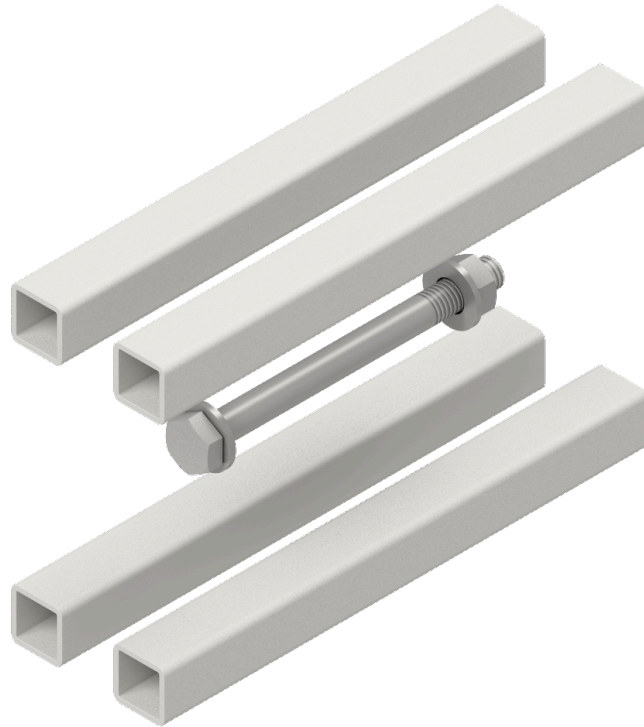


# UniTrack Joint Set



## Technical Details

**Part No: TRA0501**

**Weight: 0.367 kg**

**WLL: N/A**

**Material: Welded Steel**

**Finish: Zinc plated**

The TRA0501 Joint set used to connect two UniTrack sections (straight or curved) and comprises of one M8 bolt joint set and four square steel spigots. The spigots are a close sliding fit into the track section tubes and ensure that correct alignment is maintained.

