

UniTrack / UniBeam 2 Wheel Runner



Technical Details

Part No: TRA0601

Weight: 0.131 kg

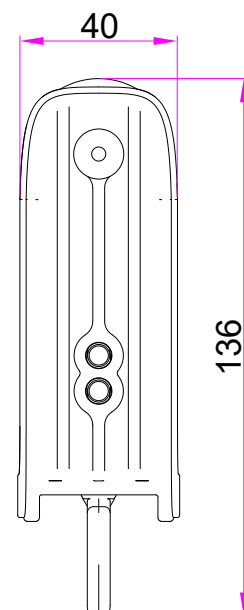
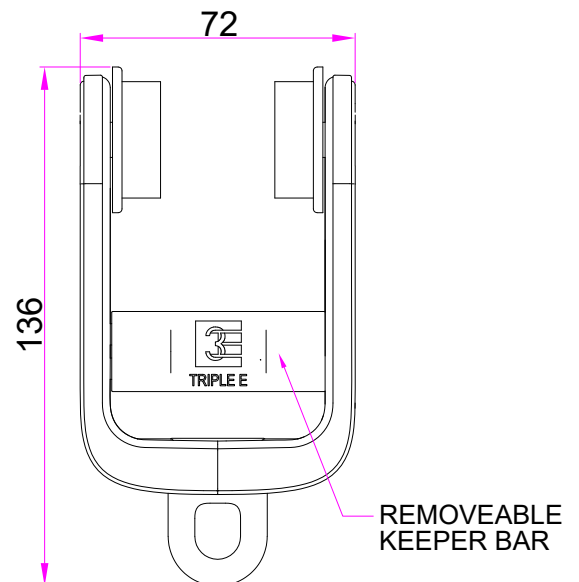
WLL: 25 kg

Material: MRP & Polyurethane

Finish: Black

The TRA0601 twin wheeled carrier for use on straight UniTrack and UniBeam tracks to attach curtain and soft goods. The carrier has flanged ball raced polyurethane tyred wheels, a swivelling loop for curtain attachment and the body is moulded from MRP (metal replacement polymer) rubber strips form noise resistant buffers.

Four holes in the base enable the TRA8009 rearfold tag to be fitted. A flat 'keeper' bar also allows runners to be added or removed from any point on UniTrack.



+44 (0) 1959 570 333
www.triplee.ltd
info@triplee.ltd
[@tripleeltd](https://www.instagram.com/tripleeltd)

Equipment **E**ngineered for **E**ntertainment

