

UniTrack / UniBeam

2 Wheel Rearfold Runner



Technical Details

Part No: TRA0603

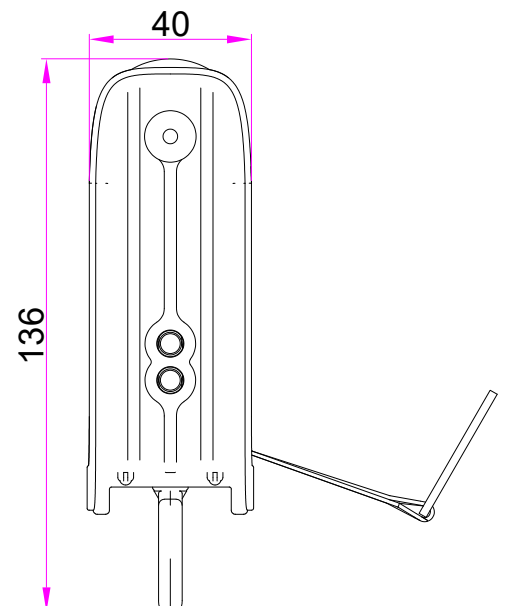
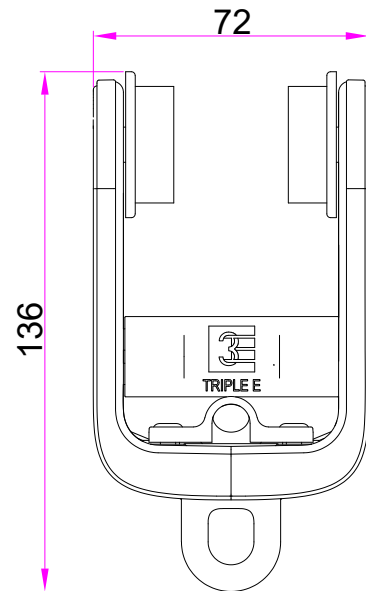
Weight: 0.166 kg

WLL: 25 kg

Material: MRP & Polyurethane

Finish: Black

The rearfold carrier is a TRA0601 two wheeled carrier fitted with a TRA8009 accessory and comes pre-assembled. The rearfold tag causes the curtain or cloth to travel flat as it moves offstage. An image or a pattern can remain visible as it disappears offstage (refer to our cording diagrams for information on cording this effect). The rearfold only works on straight UniBeam and UniTrack systems. Spacing is usually at 300 mm (1 foot) centres along the curtain.



+44 (0) 1959 570 333
www.triplee.ltd
info@triplee.ltd
[@tripleeltd](https://www.instagram.com/tripleeltd)

Equipment **E**ngineered for **E**ntertainment

