

UniTrack / UniBeam

Head Pulley HD - Single Track



Technical Details

Part No: TRA0902

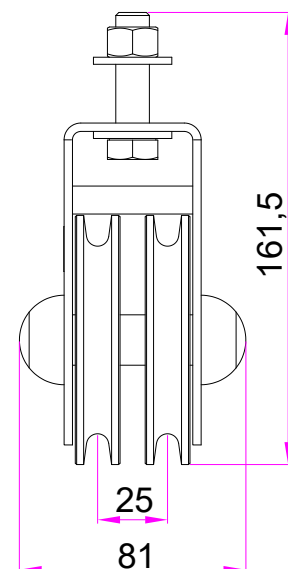
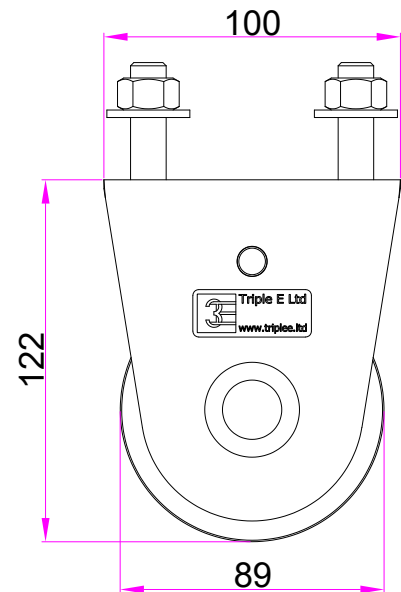
Weight: 1.345 kg

WLL: N/A

Material: Mild Steel

Finish: Black Powder Coated

The TRA0902 Head pulley is a heavy duty version of the TRA0901 for UniTrack and UniBeam straight single tracks to keep the cording underneath the track and within the track width. See our cording diagrams for mounting and use detail.



+44 (0) 1959 570 333
www.triplee.ltd
info@triplee.ltd
[@tripleeltd](https://www.instagram.com/tripleeltd)

Equipment **E**ngineered for **E**ntertainment

