

UniTrack / UniBeam

Head Pulley - Overlapping Track



Technical Details

Part No: TRA0903

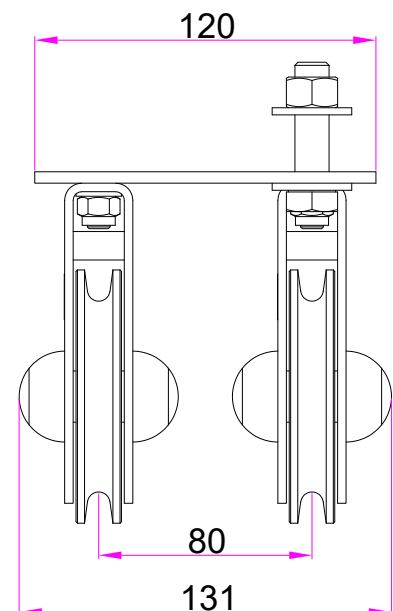
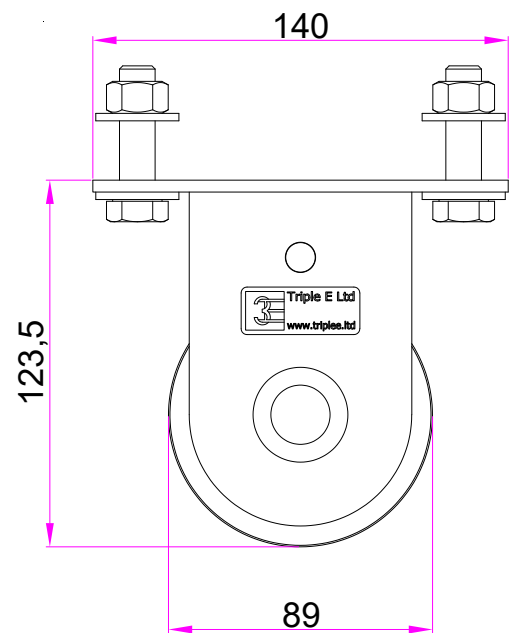
Weight: 1.727 kg

WLL: N/A

Material: Mild Steel & Nylon PA6

Finish: Black Powder Coated

The TRA0903 Head Pulley is used on a straight UniTrack and UniBeam overlapping systems to divert the cord down to a floor pulley or motor. The TRA0903 pulley sheaves are set at 80 mm centres and is used at the opposite track end to the TRA1003 Head Pulley. See our cording diagrams for mounting and use detail.



+44 (0) 1959 570 333
www.triplee.ltd
info@triplee.ltd
[@tripleeltd](https://www.instagram.com/tripleeltd)

Equipment Engineered for Entertainment

