

# UniTrack / UniBeam

## Head Pulley - Curved Track



### Technical Details

**Part No:** TRA0904

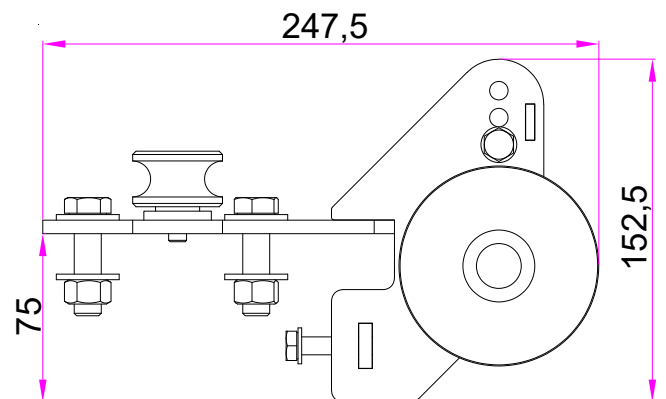
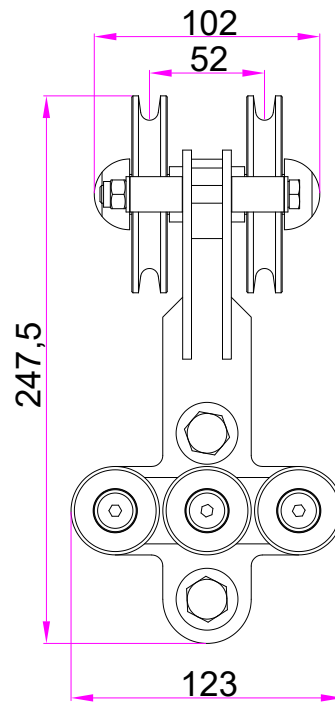
**Weight:** 1.552 kg

**WLL:** N/A

**Material:** Mild Steel & Nylon PA6

**Finish:** Black Powder Coated

The TRA0904 is a curved track head pulley for UniTrack and UniBeam, it can divert the operating cords either up or down for motors, floor pulleys and winches. The Pulley projects 94 mm (3 1/2") beyond the end of the track and is 224 mm (9") in length.



+44 (0) 1959 570 333  
[www.triplee.ltd](http://www.triplee.ltd)  
[info@triplee.ltd](mailto:info@triplee.ltd)  
[@tripleeltd](https://www.instagram.com/tripleeltd)

Equipment **E**ngineered for **E**ntertainment

