

UniTrack / UniBeam

Return Pulley - Single Track



Technical Details

Part No: TRA1001

Weight: 0.693 kg

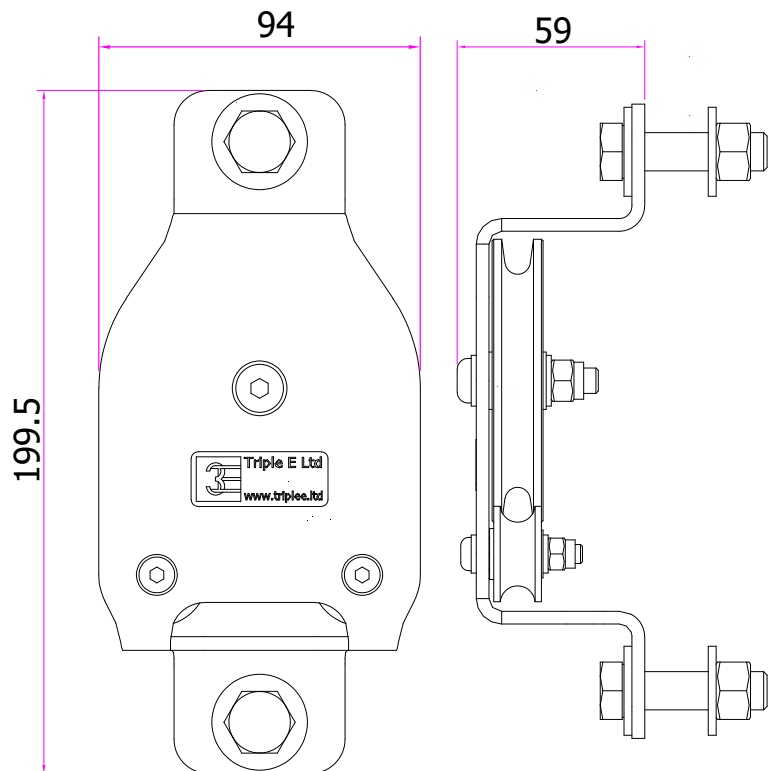
WLL: N/A

Material: Mild Steel & Nylon PA6

Finish: Black Powder Coated

This return pulley (formally TRA31R) is used on UniTrack and UniBeam single tracks, it is positioned at the opposite track end to the TRA0901 head pulley and diverts the operating cord back to it. Refer to our cording diagrams for mounting and use details.

The TRA1001 had been updated in 2023 for ease of use and installation. It also combines the functions of the standard version and the Heavy Duty version.



+44 (0) 1959 570 333
www.triplee.ltd
info@triplee.ltd
[@tripleeltd](https://www.instagram.com/tripleeltd)

Equipment Engineered for Entertainment

