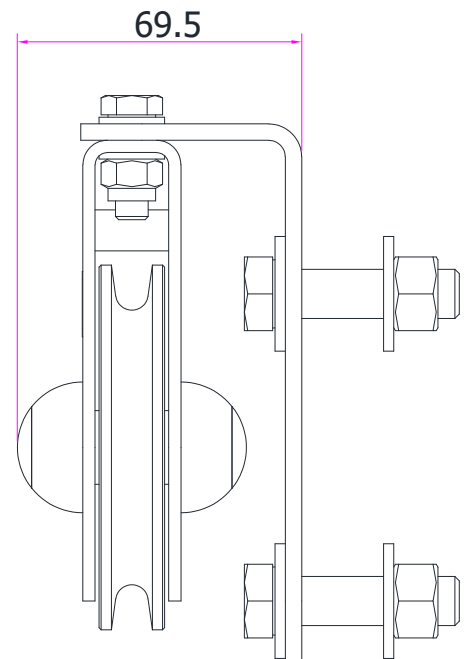
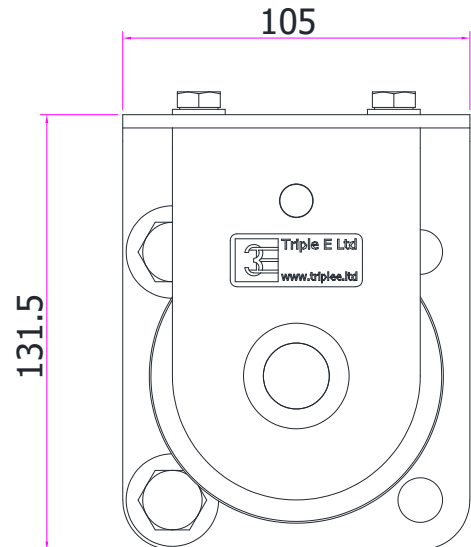


# UniTrack / UniBeam

## Return Pulley - Overlapping Track



### Technical Details

**Part No:** TRA1003

**Weight:** 1.115 kg

**WLL:** N/A

**Material:** Mild Steel & Nylon PA6

**Finish:** Black Powder Coated

TRA1003 Return Pulley is fitted at the opposite end on a straight track to the head pulley. It is used on UniTrack and UniBeam and diverts the cord back along the track to the head pulley TRA0903.

We updated the TRA1003 in 2023 and as a result, the return pulley body has been slimmed down and the bolt holes on the plate have been adapted so that the pulley can be used in different positions on the tracks.



+44 (0) 1959 570 333  
[www.triplee.ltd](http://www.triplee.ltd)  
[info@triplee.ltd](mailto:info@triplee.ltd)  
[@tripleeltd](https://www.instagram.com/tripleeltd)

Equipment Engineered for Entertainment

