

# Foot Stirrup for all corded systems



## Technical Details

**Part No:** TRA1101

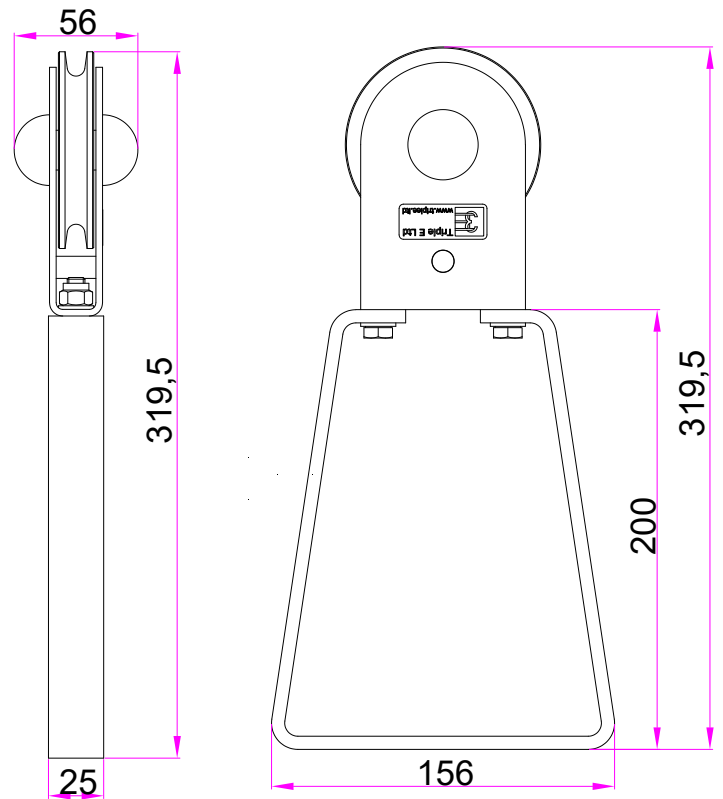
**Weight:** 1.207 kg

**WLL:** N/A

**Material:** Mild Steel & Nylon PA6

**Finish:** Black Powder Coated

The TRA1101 Foot stirrup is a floor level mounted pulley designed for use on a flown or movable corded track system. The stirrup at the base allows the rope to be tensioned either by placing a foot into it or hanging a weight from it.



+44 (0) 1959 570 333  
[www.triplee.ltd](http://www.triplee.ltd)  
[info@triplee.ltd](mailto:info@triplee.ltd)  
[@tripleeltd](https://www.instagram.com/tripleeltd)

Equipment Engineered for Entertainment

