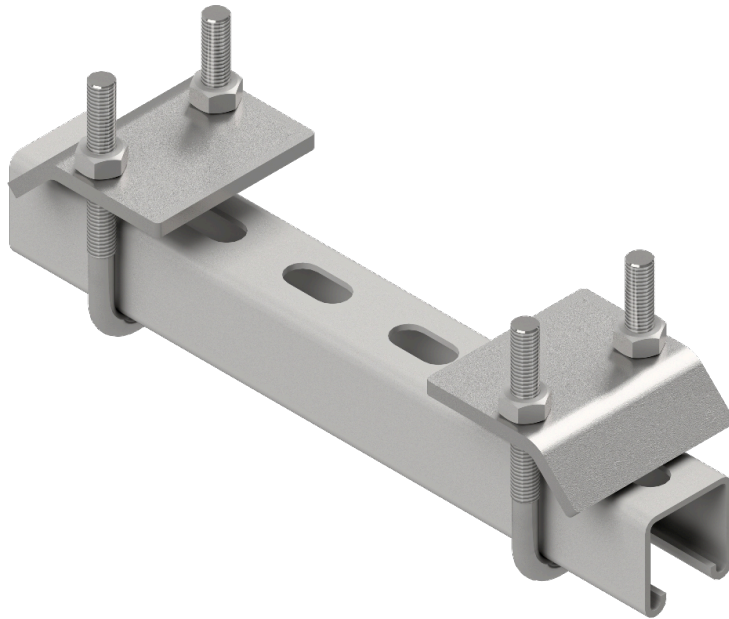


Girder Clamps - All systems



Technical Details

Part No: TRA1301

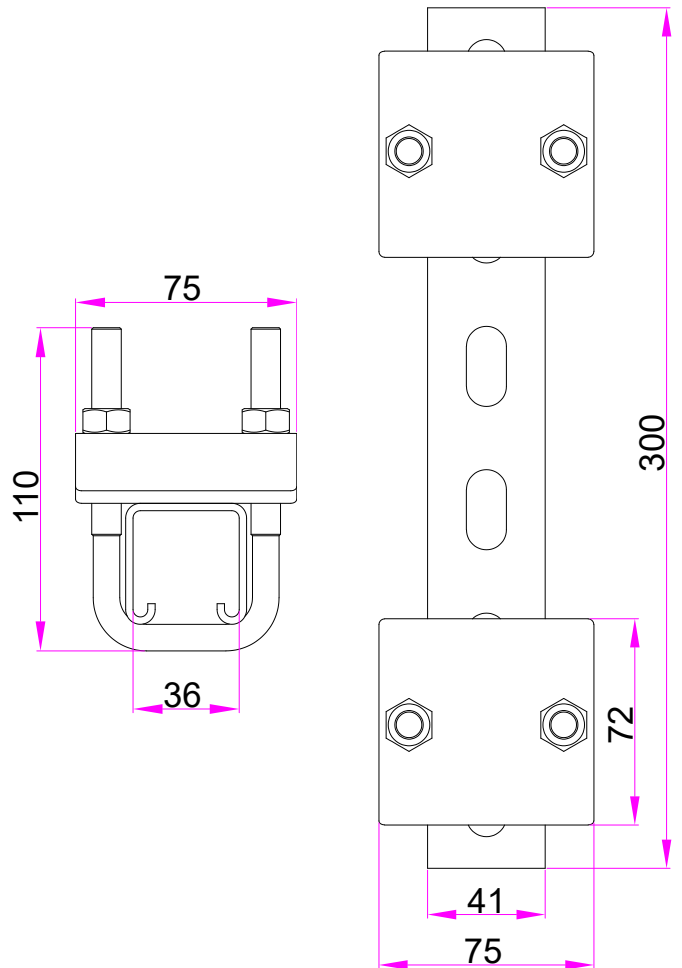
Weight: 1.453 kg

WLL: N/A

Material: Mild Steel

Finish: None

The TRA1301 girder clamp provides a suspension point from the flanges of an 'I' beam. It comprises of a length of Unistrut and two square 'U' bolts each attached to cranked rectangular clamp plates. Any flange width or thickness from a rolled steel or Aluminium joist beam can be accommodated. The suspension is achieved using a TRA1801 or ERL1801 Studding Set.



+44 (0) 1959 570 333
www.triplee.ltd
info@triplee.ltd
[@tripleeltd](https://www.instagram.com/tripleeltd)

Equipment Engineered for Entertainment

