

UniTrack / UniBeam Hook Clamp



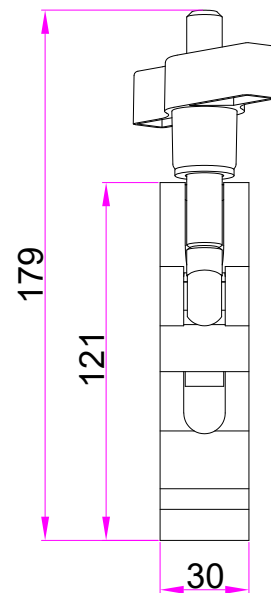
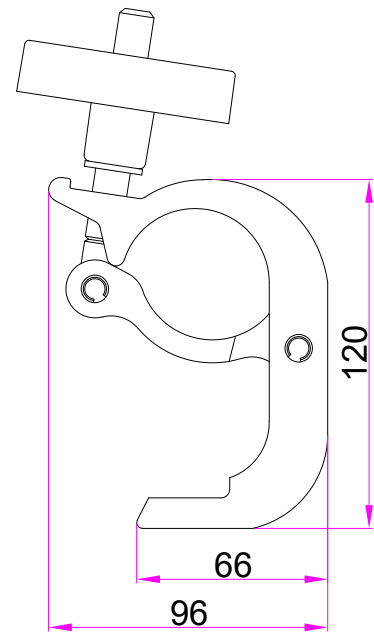
Technical Details

Part No: TRA1401

Weight: 0.506 kg
WLL: 200 kg

Material:
Finish:

The TRA1401 The Hook Clamp is used for attaching UniTrack and UniBeam to tube or truss ranging in diameters from 48 mm to 51 mm. The Hook Clamp can attach directly to the track or via suspension brackets or suspension plates.



+44 (0) 1959 570 333
www.triplee.ltd
info@triplee.ltd
@tripleeltd

Equipment Engineered for Entertainment

