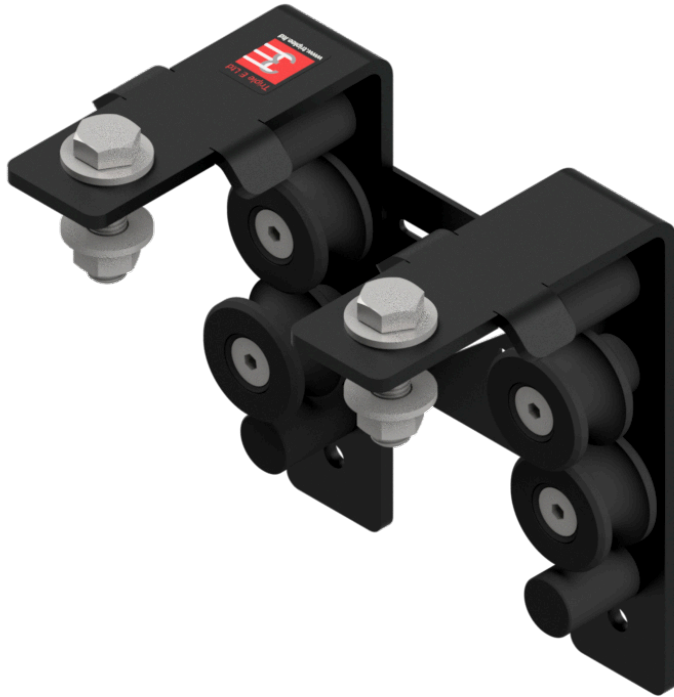


UniTrack / UniBeam Centre

Overlap Diverter - Side Cording



Technical Details

Part No: TRA1907

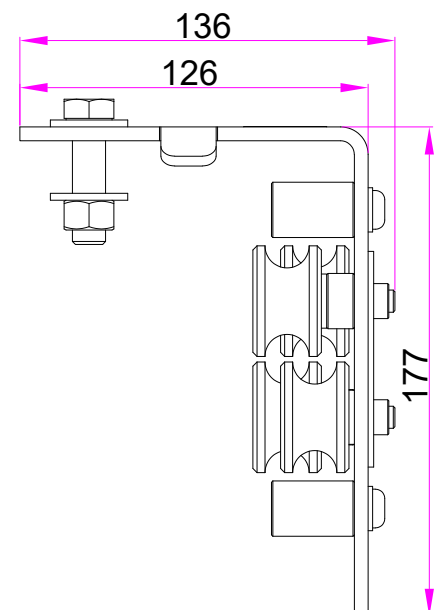
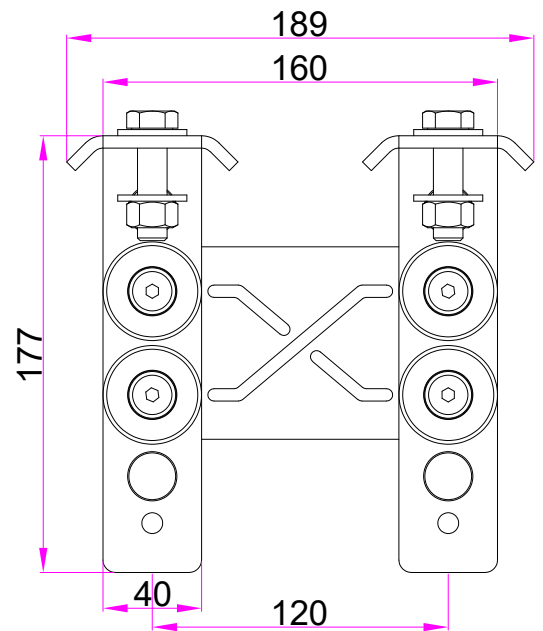
Weight: 1.504 kg

WLL: N/A

Material: Mild Steel & Nylon PA6

Finish: Black Powder Coated

The TRA1907 Consist of a pair of TRA1906 guides and are placed in the centre of side corded UniTrack and UniBeam tracks to allow curtains or scenery to meet or butt in the centre. See the side cording diagram 12 for a detailed description of how to rope this component.



+44 (0) 1959 570 333
www.triplee.ltd
info@triplee.ltd
[@tripleeltd](https://www.instagram.com/tripleeltd)

Equipment Engineered for Entertainment

