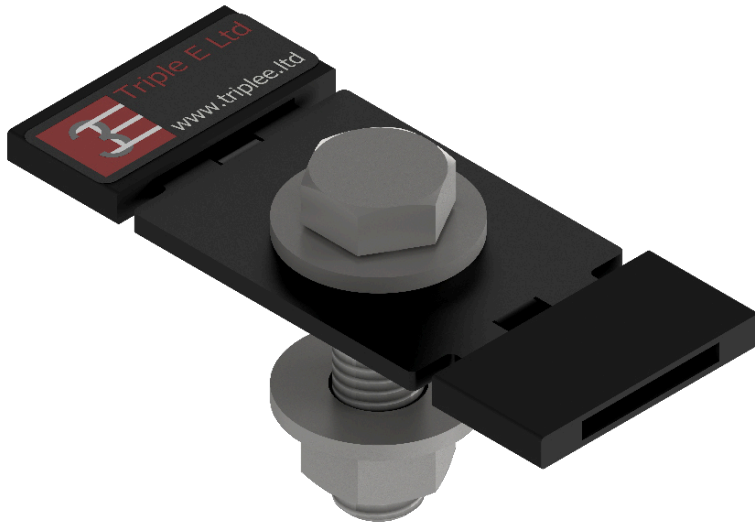


UniTrack / UniBeam Flat End Stop



Technical Details

Part No: TRA2403

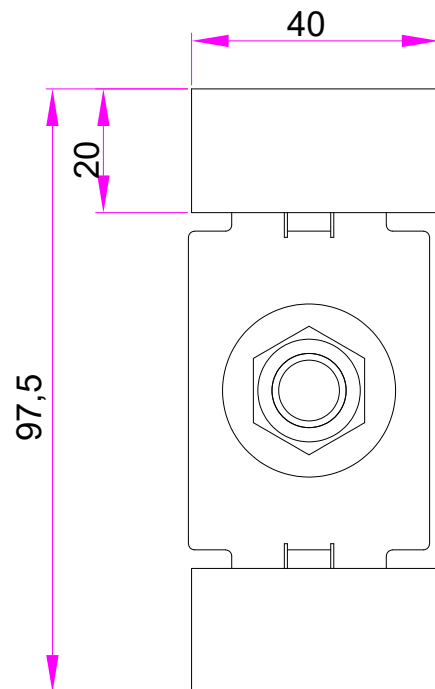
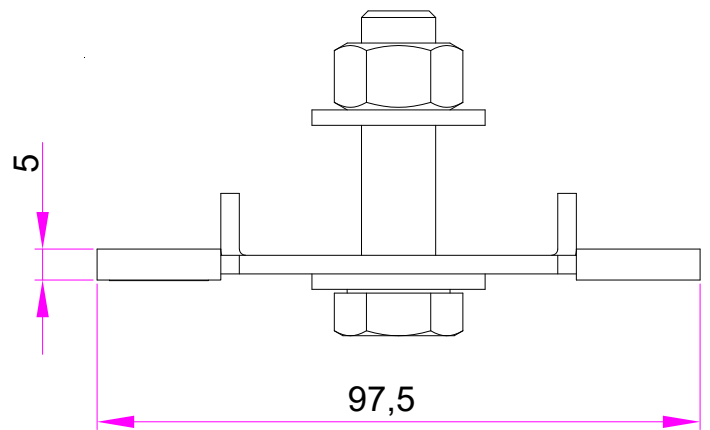
Weight: 0.073 kg

WLL: N/A

Material: Mild Steel & Rubber

Finish: Black Powder Coated

The TRA2403 Flat End Stop is used on UniTrack and UniBeam tracks when they are used for scenery. The rubber sleeves work with all scenery carriers to provide silent buffers.



+44 (0) 1959 570 333
www.triplee.ltd
info@triplee.ltd
[@tripleeltd](https://www.instagram.com/tripleeltd)

Equipment Engineered for Entertainment

