

UniTrack / UniBeam Leading

Edge Tensioner



Technical Details

Part No: TRA8005

Weight: 1.780 kg

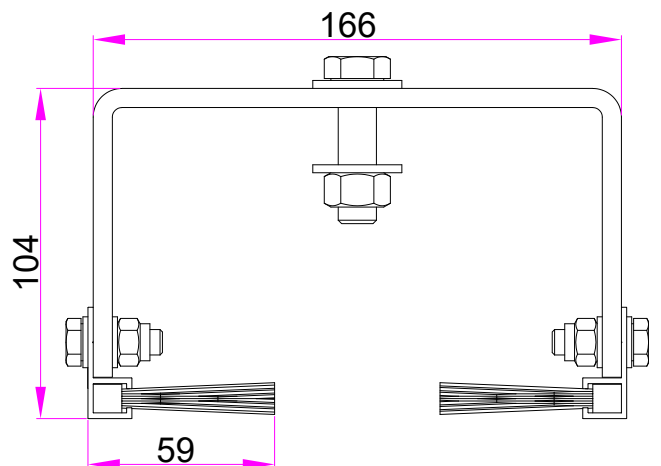
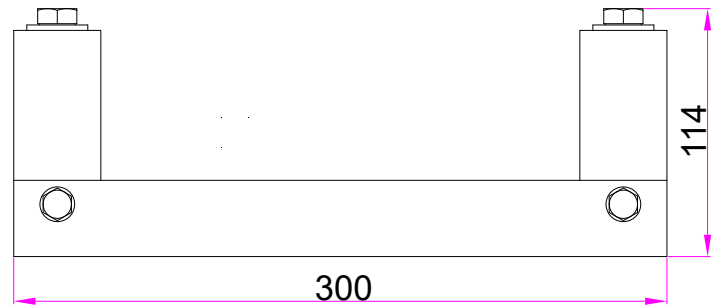
WLL: N/A

Material: Mild Steel & Aluminium

Finish: Mixed

The Leading Edge Tensioner is used on UniTrack and UniBeam straight track systems in conjunction with TRA0603 rearfold carriers. The tensioner is mounted at the start of the curtain stack and releases the curtain one carrier at a time so that the curtain or cloth travels on stage flat. The rearfold carriers ensure the curtain travels off stage flat. See our cording diagrams for mounting and use details.

One required per curtain.



+44 (0) 1959 570 333
www.triplee.ltd
info@triplee.ltd
[@tripleeltd](https://www.instagram.com/tripleeltd)

Equipment Engineered for Entertainment

